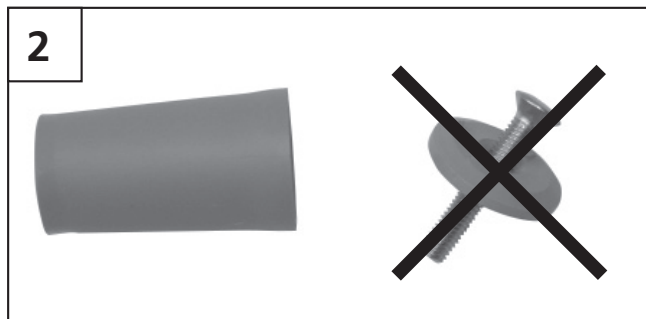
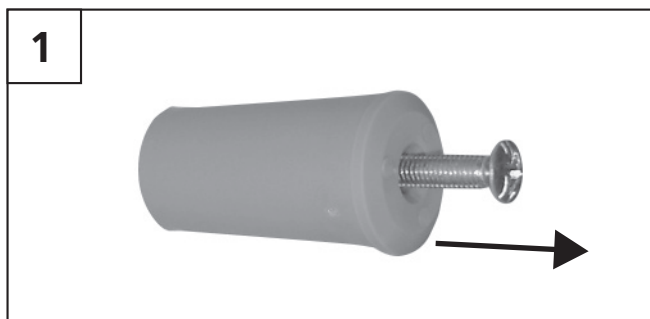


SLIDING DOOR SYSTEMS: ASSEMBLY INSTRUCTIONS

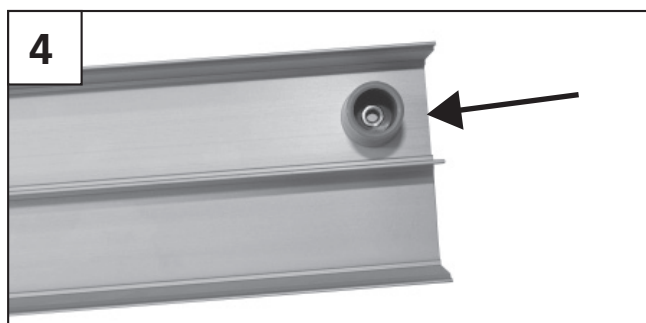
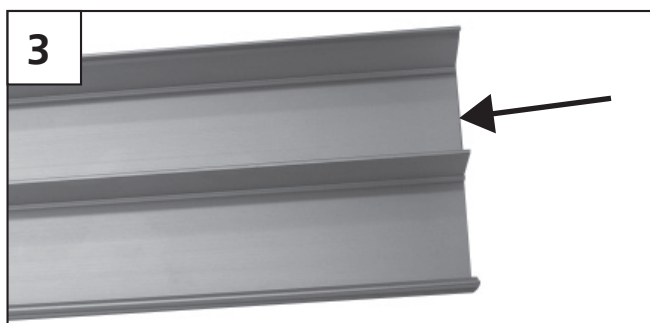
TOP AND BOTTOM STOPPER

TOP DOOR STOPPER:

5th edition Bremen, January 2006

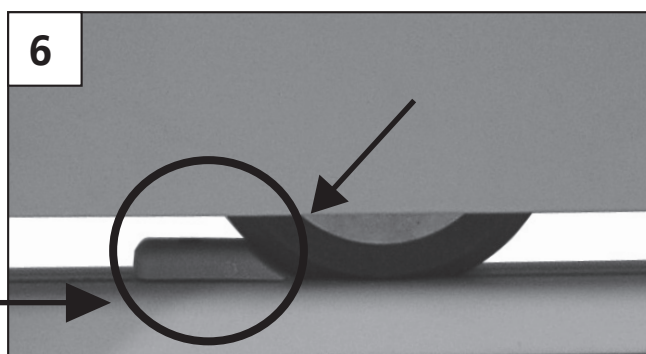
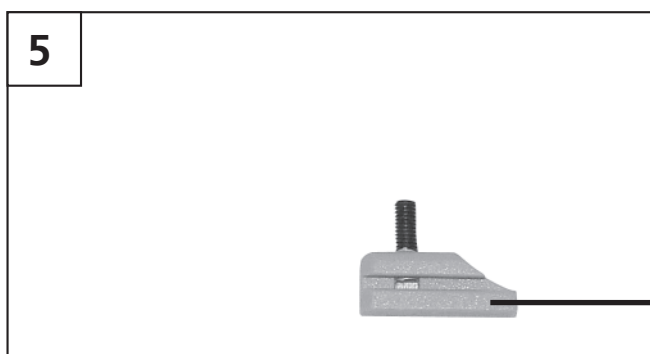


With the top stopper, you must remove and dispose of the attached screw and plastic cap. Attach the stopper to the ceiling with a dowel and screw (included).



Determine the position of the stopper and mark the centre. Drill a 6 mm hole, mount it properly according to the substructure and attach it with the dowel and screw from the top track assembly set.

BOTTOM DOOR STOPPER:



Before installing the bottom track, push the bottom stopper into the track and make sure it is facing the right way (see picture). Push the stopper against the positioned roller and secure it with the set screw.

PLEASE NOTE: Bottom door stopper CANNOT be used with security bottom rollers or position springs!!!

Manufacturing easy medium difficult *

raumplus

*Base for the degree of difficulty is a standard sliding door without slant. This is to be classified as 'easy' in respect of production and installation.